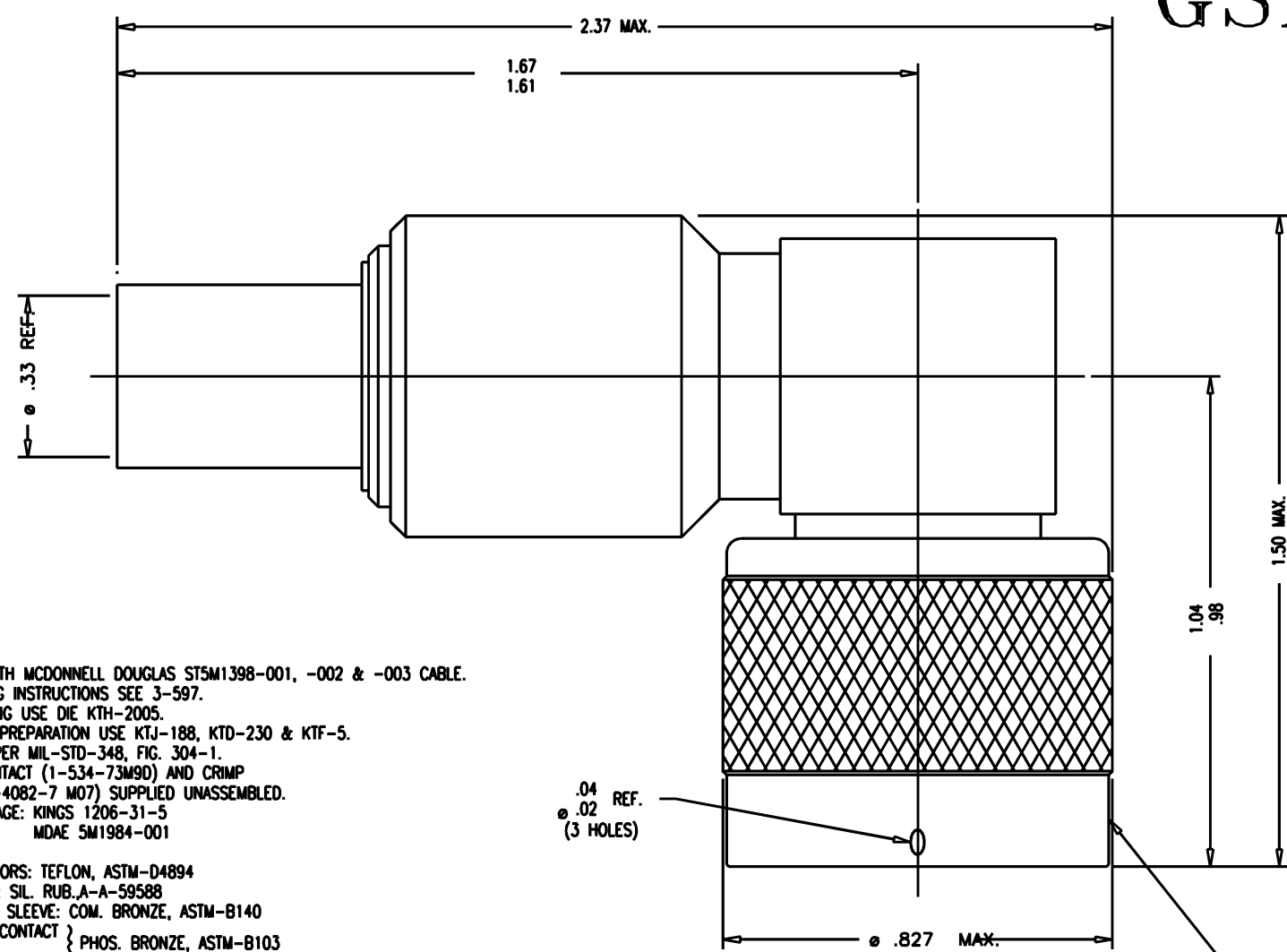


# GSD

1206-31-5



- NOTES:**
- FOR USE WITH MCDONNELL DOUGLAS ST5M1398-001, -002 & -003 CABLE.
  - FOR CABLING INSTRUCTIONS SEE 3-597.
  - FOR CRIMPING USE DIE KTH-2005.
  - FOR CABLE PREPARATION USE KTJ-188, KTD-230 & KTF-5.
  - INTERFACE PER MIL-STD-348, FIG. 304-1.
  - CENTER CONTACT (1-534-73M9D) AND CRIMP SLEEVE (1-4082-7 M07) SUPPLIED UNASSEMBLED.
  - MARK PACKAGE: KINGS 1206-31-5  
MDAE 5M1984-001
  - MATERIALS:**  
INSULATORS: TEFLON, ASTM-D4894  
GASKET: SIL. RUB.A-A-59588  
K-CRIP SLEEVE: COM. BRONZE, ASTM-B140  
OUTER CONTACT } PHOS. BRONZE, ASTM-B103  
C-RING }  
CRIMP CONTACT: BER. COP., ASTM-B196  
ALL OTHER PARTS: BRASS, ASTM-B16
  - FINISHES:**  
CONTACTS: GOLD, ASTM-B488  
ALL OTHER METAL PARTS: SILVER, B700
  - ELECTRICAL CHARACTERISTICS:**  
NOMINAL IMPEDANCE: 50 OHMS  
VOLTAGE RATING: 1000 VRMS  
FREQUENCY RANGE: DC TO 11 GHz

.04 REF.  
ø .02 REF.  
(3 HOLES)

STAMP: KINGS 1206-31-5  
YRWK (DATE CODE)

# GSD

**REVISIONS**

ISSUE	CHANGES
0	ER 35586 KH 11/02/94
1	CN 35776 E KH 02/24/95
2	CN 38324 E TML 06/19/01
3	CN 39511 C DRK 06/30/06

SCALE 4:1

APPROX SURFACE AREA

USED ON

REF: MDAE 5M1984-001 REV. B

**PLUG, ANGLE, N**

DRAWN	KH	DATE	11/02/94
DESIGN	JT	DATE	11/03/94
APPR.	VLS	DATE	11/04/94

**KINGS**  
ELECTRONICS CO., INC.  
ROCK HILL, SOUTH CAROLINA 29730

1206-31-5